

# **KROSS X STUDIO**

**KS 06 CENTRAL FLOATING TOURBILLON**

**USER MANUAL**

# TABLE OF CONTENTS

## KS 06 CENTRAL FLOATING TOURBILLON

<u>Overview</u>	<u>3</u>
<u>Movement winding</u>	<u>4</u>
<u>Time setting</u>	<u>5</u>
<u>Interchangeable straps</u>	<u>6</u>

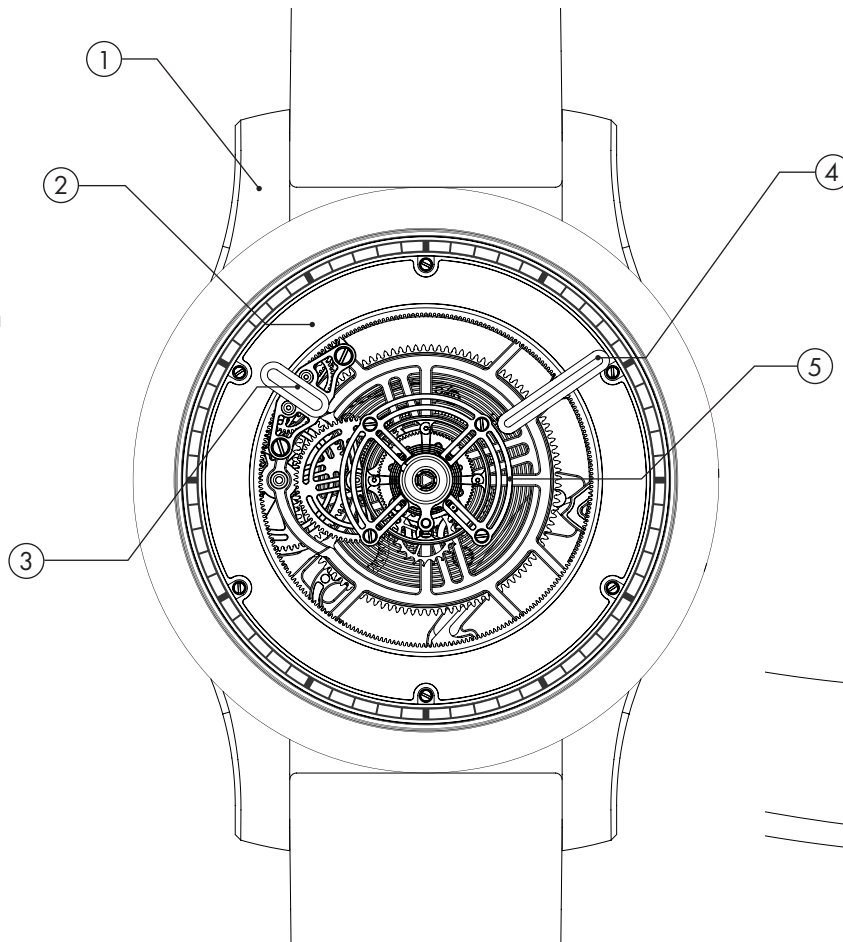
## GENERAL

<u>Regular care</u>	<u>7</u>
<u>Tech specs</u>	<u>8</u>

# KS 06 CENTRAL FLOATING TOURBILLON

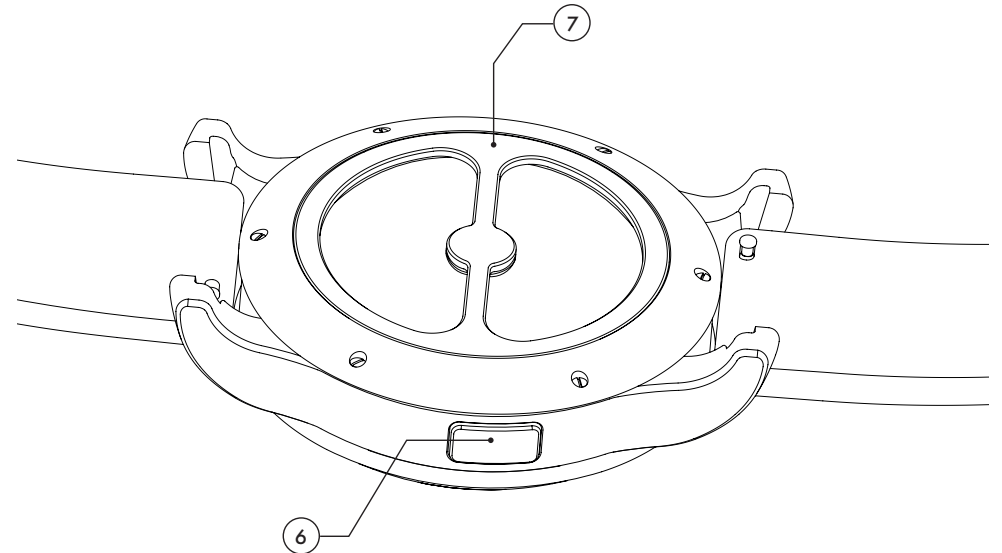
## FRONT

- 1 Case
- 2 Dial
- 3 Hour hand
- 4 Minute hand
- 5 Floating tourbillon



## BACK

- 6 Push button
- 7 Flat D-ring crown

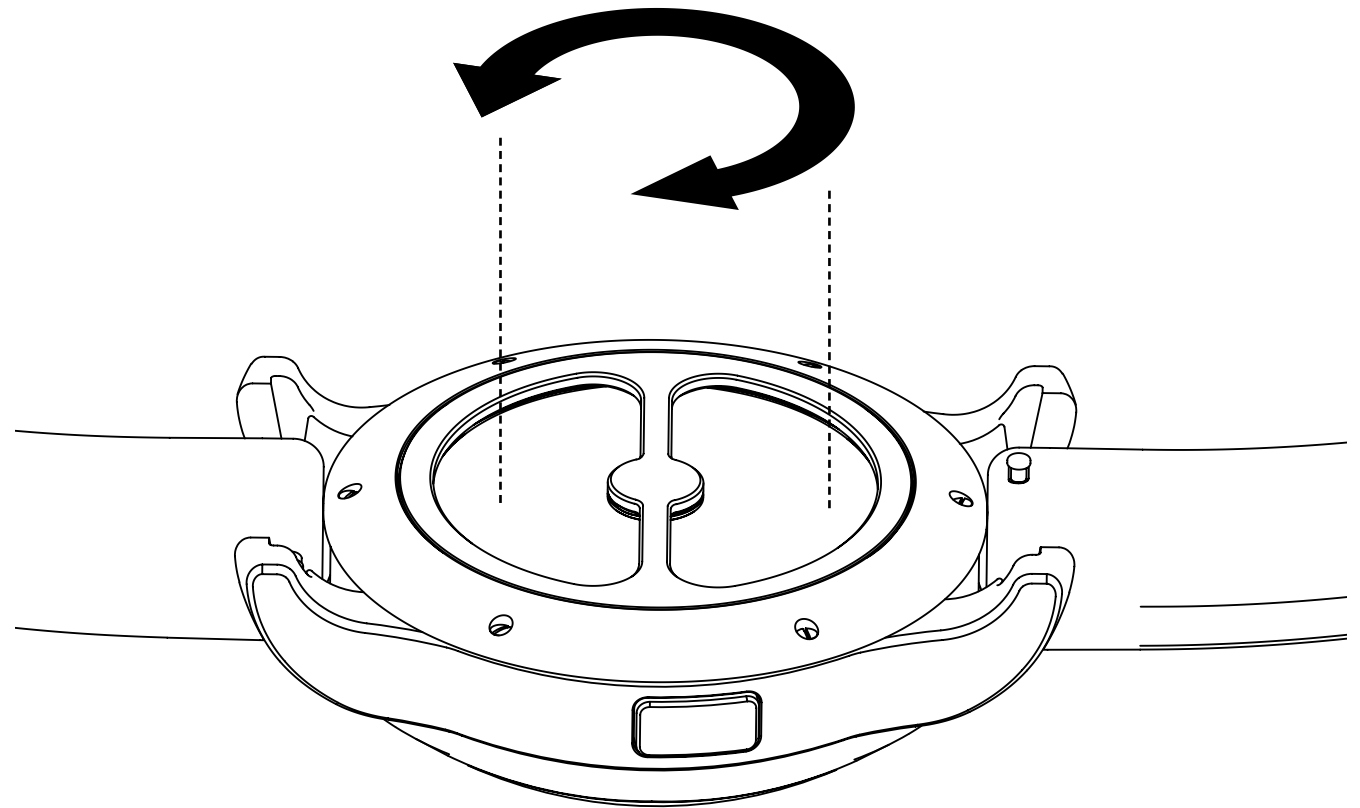


# MOVEMENT WINDING

The KS 7'006 manual-winding mechanical movement delivers a 5-day power reserve. After this period, you must wind your watch to provide the necessary energy for it to run.

In order to maintain perfect symmetry, the KS 06 case has no crown at 3 o'clock. It is ingeniously centered on the back of the case. This mechanism enables faster winding than with a traditional crown.

To wind your watch, use a finger to rotate the crown until you feel some resistance, meaning that the watch has been wound. To fully wind your watch, 23 complete turns are needed.



# TIME SETTING

The peripheral hour display mechanism is achieved through a planetary gear system mounted on two ball bearings, freeing the tourbillon from any obstruction.

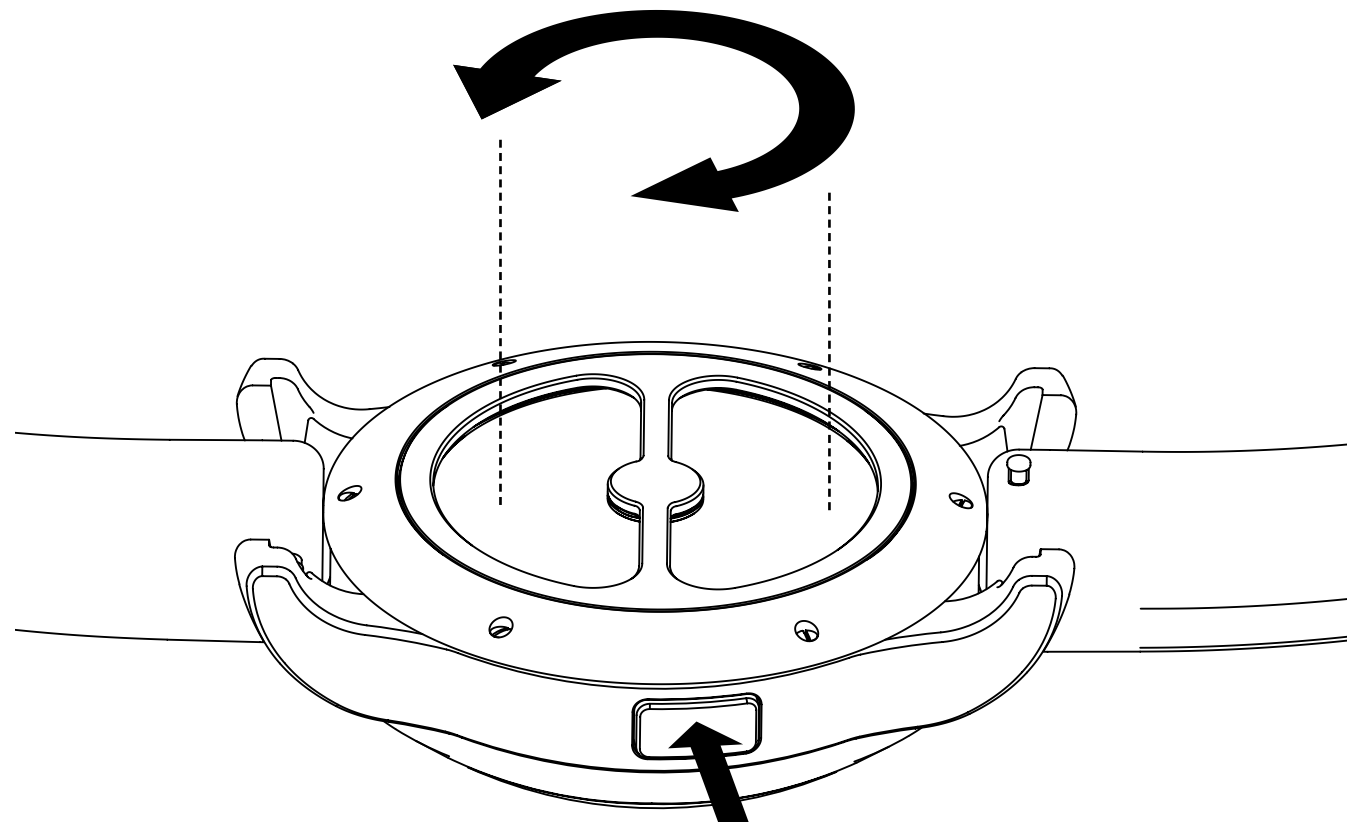
To set the time, press the push button placed at 3 o'clock of the case and synchronously rotate the crown at the back of the watch clockwise until the exact time is set.

Once the time has been set, it is essential to disengage the setting mechanism.

To do so, hold the watch with its back facing you, then turn the ring counterclockwise. A clicking sound will confirm that the mechanism has been properly disengaged.

## **Note:**

You might turn the crown counterclockwise. In this case, go back 10 minutes before the actual time. Then, turn it clockwise until adjusting the exact time. It enables the gear train to go back to its functioning position.



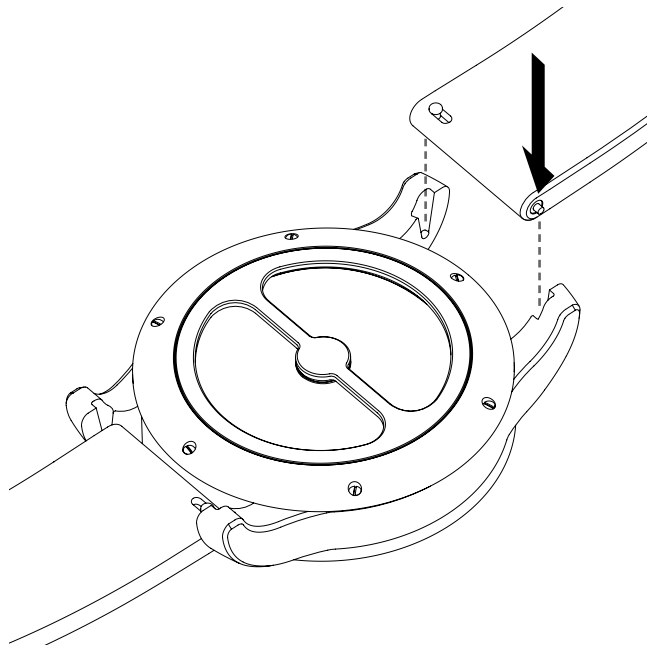
# INTERCHANGEABLE STRAPS

Hidden on the inner side of the lugs, the patent-pending interchangeable strap system is truly one of a kind.

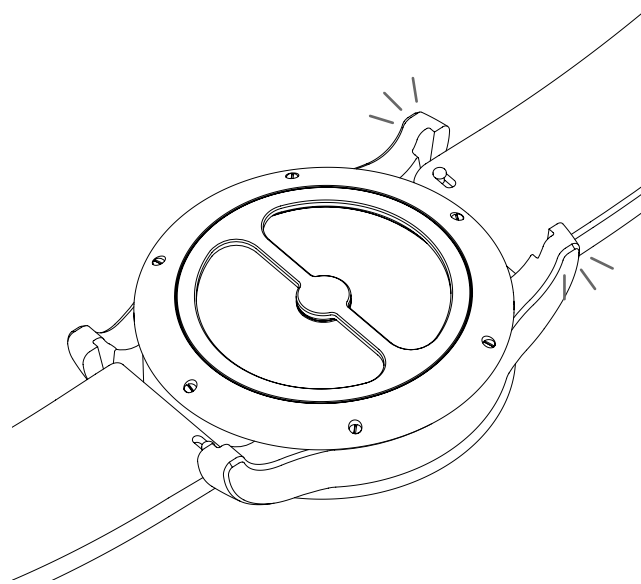
KS 06 watches can be fitted with any standard strap measuring 20mm width.

---

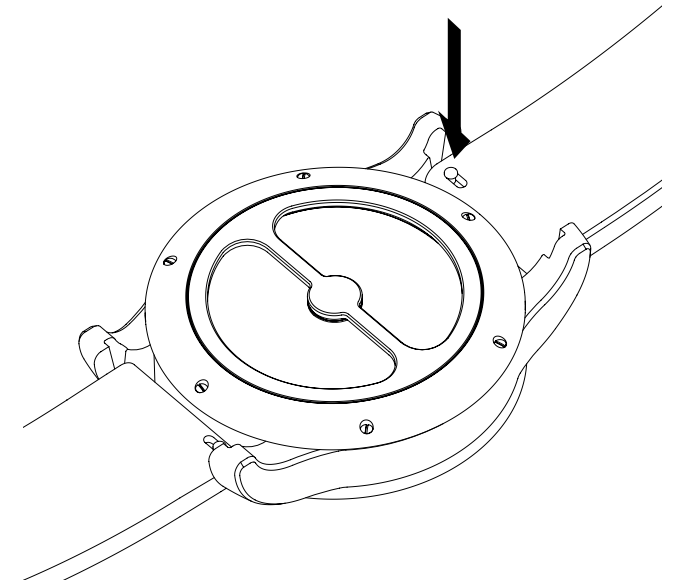
To put on the strap, place it between the lugs, allowing the spring bar to slide along the specific groove until you hear a "click".



That will mean the spring has reached its final position.



In order to remove the strap, pull the spring bar to release it from its groove.



# REGULAR CARE

## REGULAR CARE OF THE KS 06 CENTRAL FLOATING TOURBILLON

The tourbillon remains one of the main horological complications and bears the mark of the most talented watchmakers. Caution and care are required to ensure the longevity of your watch. To handle it properly, a set of gloves and a soft microfiber cloth are provided in a box along with your KS 06 Central Floating Tourbillon. We strongly recommend wearing gloves every time the watch is manipulated for winding or time setting. It will enable a better gripping and help prevent any risk of scratching.

The watch has a water resistance of 30 meters. We recommend avoiding sea water. Clean regularly your watch by wiping down carefully with the soft microfiber cloth. If needed, you may use a solvent-free cleaner to spray on the cloth. Do not spray any liquid directly on the watch.



# TECH SPECS

---

## KS 06 CENTRAL FLOATING TOURBILLON

---

### Movement

---

**Caliber**

KS 7'006

**Functions**

Manual-winding patented floating central tourbillon

**Height**

15.28mm

**Overall Diameter**

33mm

**Power reserve**

5 days

**Frequency**

21'600bph / 3Hz

**Jewels**

27

**Parts**

225

### Case

---

**Diameter**

42mm

**Height**

15.28mm

**Thickness**

19.80mm

**Thickness without crystal**

13.30mm

**Materials**

Grade 5 titanium

**Crystal**

Dome-shaped anti-reflective sapphire crystal

**Case Back**

Grade 5 titanium

**Crown**

Flat D-ring crown in grade 5 titanium

**Water resistance**

30m or 3ATM

### Dial & Hands

---

**Dial**

The KS 06 watches come in five different dial colors, all featuring a rhodium plated inner bezel with black minute markers.

**Hands**

Rhodium-plated with white SuperLumiNova®

### Straps & Clasp

---

**Interchangeable Strap**

Patent pending interchangeable strap system

**Clasp**

Grade 5 titanium pin buckle clasp